

EAVE & RAKE EXTENSIONS

- EO3005 - SOFFIT PANEL ERECTION DETAIL
 - EO3010 - LOW EAVE EXTENSION
 - EO3011 - LOW EAVE EXTENSION - IMP WALL
 - EO3214 - EAVE EXTENSION TERMINATION - INSET-FLUSH
 - EO3215 - EAVE EXTENSION TERMINATION - BYPASS
 - EO3310 - RAKE EXTENSION
 - EO3311 - RAKE EXTENSION - IMP WALL
 - EO3312 - RAKE EXTENSION TERMINATION - LOW EAVE
 - EO3314 - RAKE EXTENSION TERMINATION - HIGH EAVE
 - EO3410 - HIGH EAVE EXTENSION
 - EO3411 - HIGH EAVE EXTENSION - IMP WALL
 - EO3610 - SOFFIT PANEL ENDLAP
 - EO3615 - SOFFIT PANEL - RIDGE UP TO 1-12
 - EO3616 - SOFFIT PANEL - RIDGE GREATER THAN 1-12
-

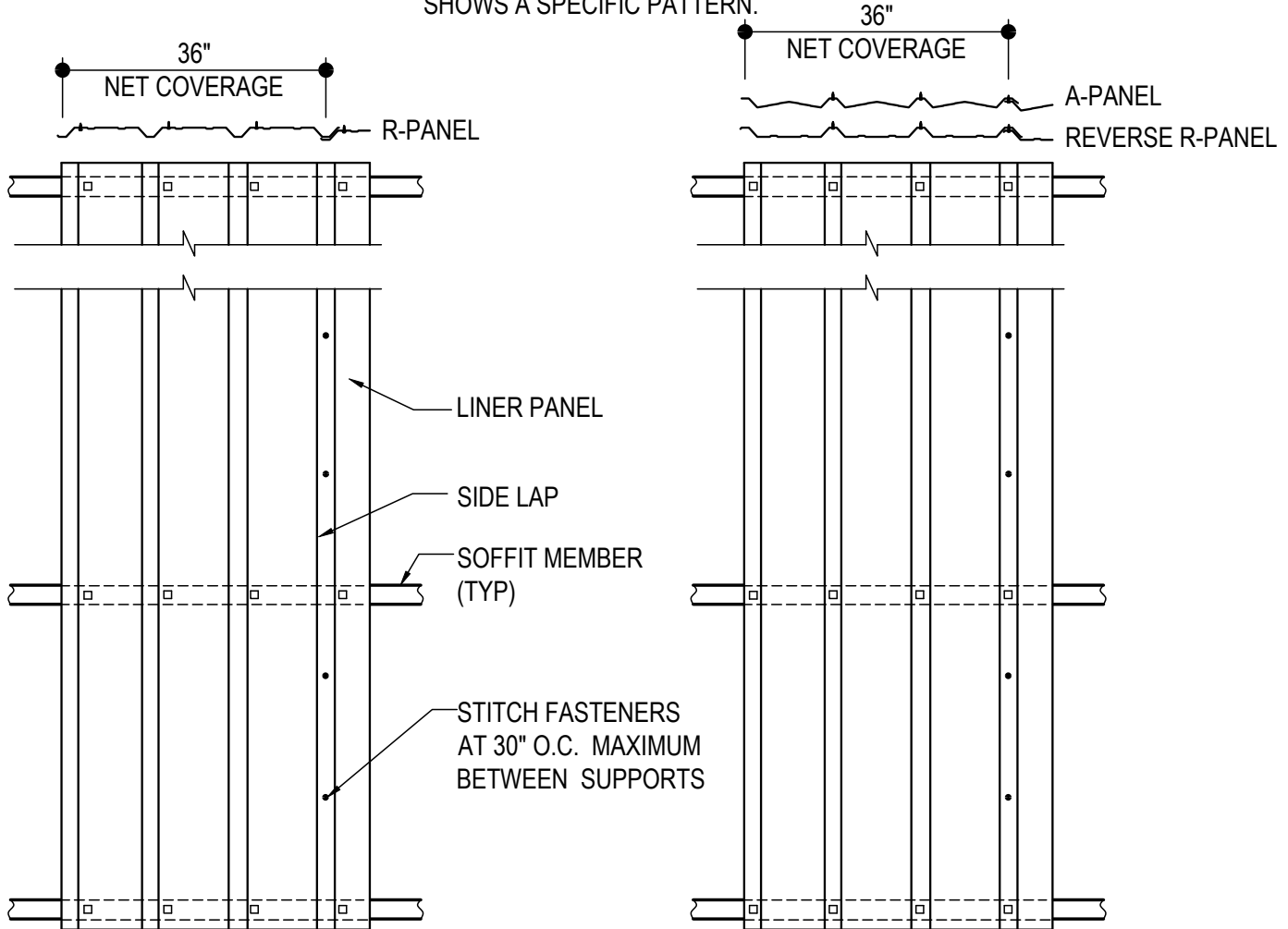
EO3005 - SOFFIT PANEL ERECTION DETAIL

[Download the DWG file by clicking here.](#)

- H1060 STITCH FASTENER
- ▣ H1040 STRUCTURAL FASTENER

ERECTOR NOTE:

ERECTION OF THE SOFFIT PANEL MUST BE COORDINATED PROPERLY WITH THE SOFFIT TRIM CONDITIONS AS SHOWN IN THE ERECTION DETAILS. PLACEMENT AND ORIENTATION OF THE SOFFIT PANEL MAY VARY BY CONDITION AND SUPPORT MEMBERS MAY ALSO VARY. USE THIS FASTENING PATTERN UNLESS TRIM SECTION SHOWS A SPECIFIC PATTERN.



SOFFIT PANEL ERECTION DETAIL

EO3005

Detailer Notes:

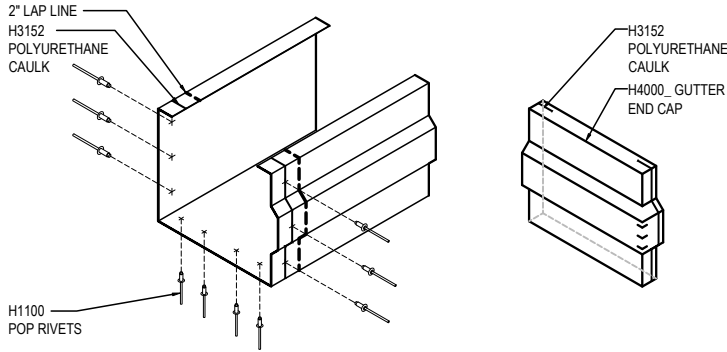
- 1) THIS DETAIL IS A DUPLICATE OF DO0005, DQ0005, EO60005, EQ3005, EQ6005 & HK0005. DUPLICATE DETAILS ARE TO ENSURE THAT THEY ARE PLACED IN ORDER IN THE ERECTION DRAWINGS.

EO3010 - LOW EAVE EXTENSION

Download the DWG file by clicking [here](#).

GUTTER LAP & END CAP

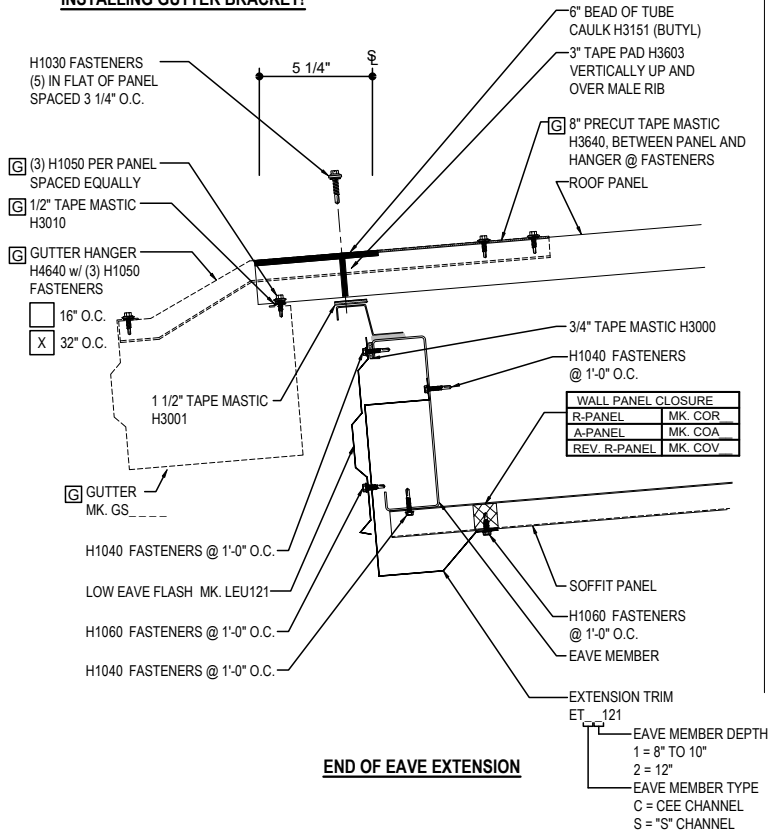
APPLY BEAD OF POLYURETHANE CAULK 1" FROM END OF TRIM AND LAP SECTIONS 2" AND FASTEN AS SHOWN. TO TERMINATE THE GUTTER APPLY POLYURETHANE CAULK TO THREE SIDES OF END CAP AND TOP RETURN AREA AS SHOWN AND INSERT 1/2" INTO END OF GUTTER. ATTACH WITH RIVETS SAME AS END LAP.



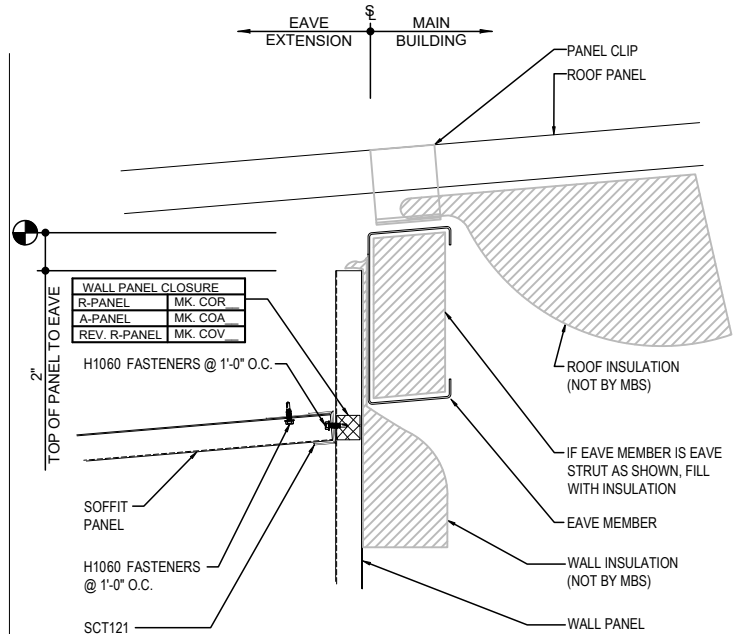
NOTE 1: PANEL RIB MUST BE HAND CRIMPED PRIOR TO INSTALLING GUTTER BRACKET!

GUTTER SHOWN IF REQ'D

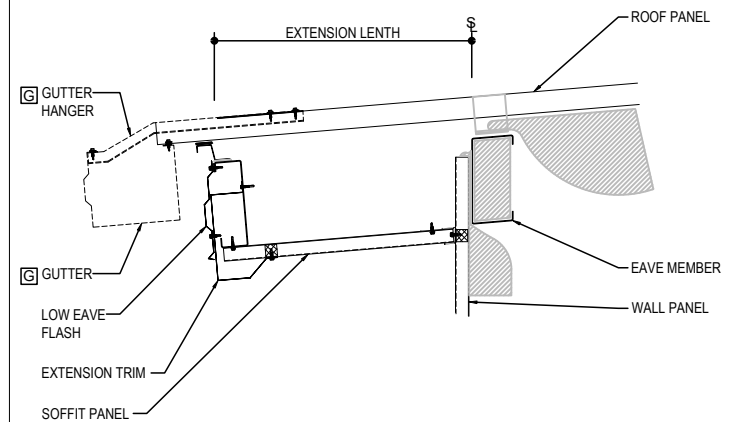
REQ'D ONLY FOR GUTTER



END OF EAVE EXTENSION



EAVE EXTENSION SOFFIT AT BUILDING STEEL LINE



LOW EAVE EXTENSION DETAIL

EAVE WITH OR WITHOUT GUTTER DETAIL W/ SOFFIT PANELS
SEE WALL SHEETING ERECTION NOTES FOR WALL PANEL FASTENER LOCATIONS

EO3010

Detailer Notes:

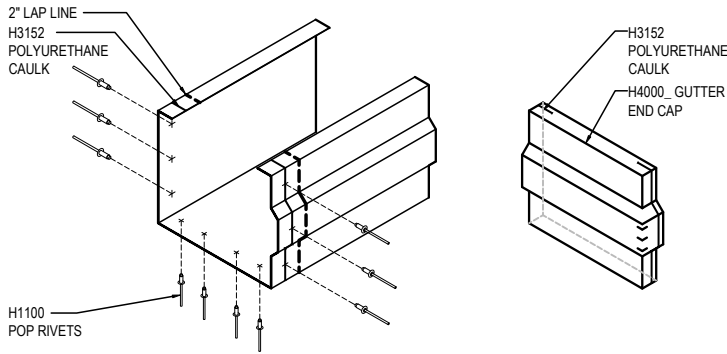
1) N/A

EO3011 - LOW EAVE EXTENSION - IMP WALL

[Download the DWG file by clicking here.](#)

GUTTER LAP & END CAP

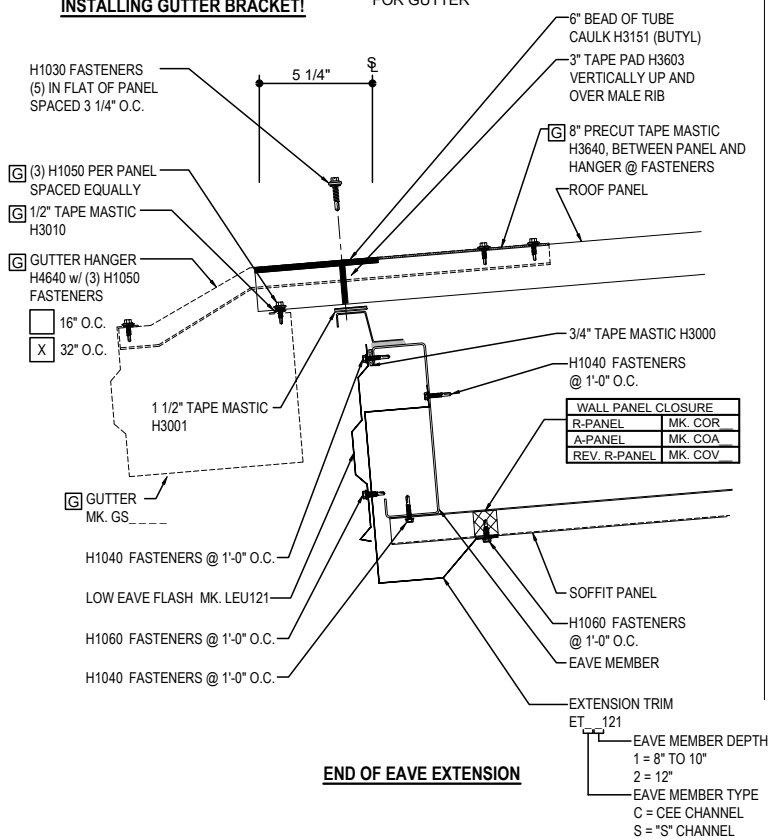
APPLY BEAD OF POLYURETHANE CAULK 1" FROM END OF TRIM AND LAP SECTIONS 2" AND FASTEN AS SHOWN. TO TERMINATE THE GUTTER APPLY POLYURETHANE CAULK TO THREE SIDES OF END CAP AND TOP RETURN AREA AS SHOWN AND INSERT 1/2" INTO END OF GUTTER. ATTACH WITH RIVETS SAME AS END LAP.



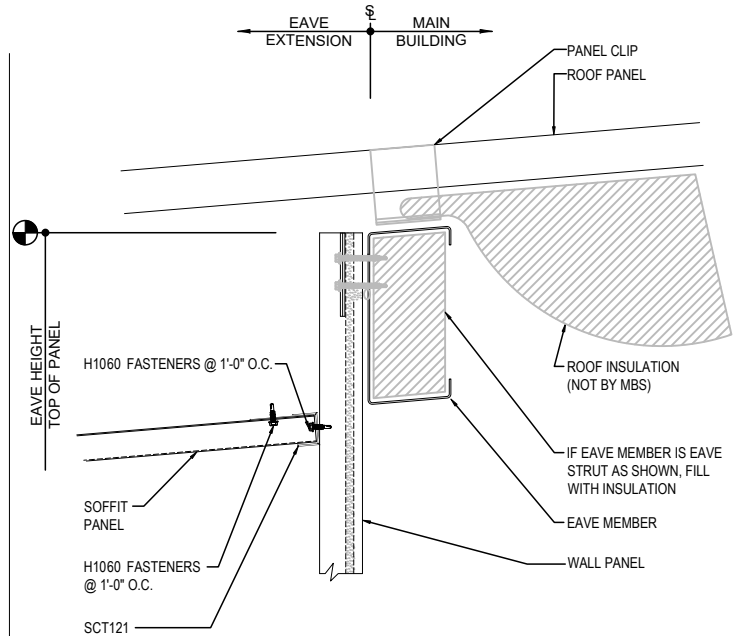
NOTE 1: PANEL RIB MUST BE HAND CRIMPED PRIOR TO INSTALLING GUTTER BRACKET!

GUTTER SHOWN IF REQ'D

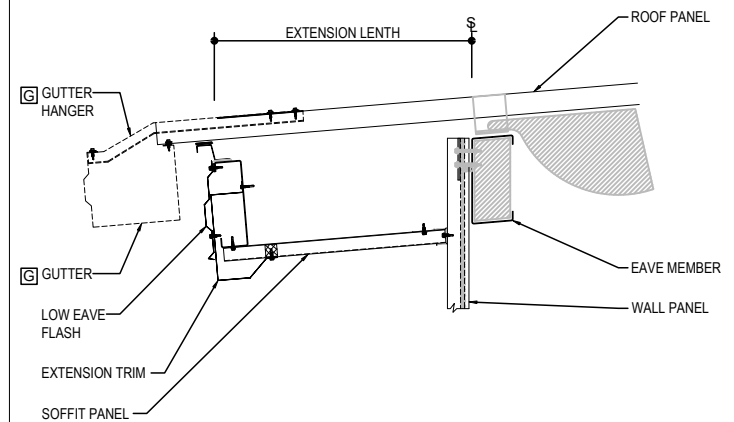
REQ'D ONLY FOR GUTTER



END OF EAVE EXTENSION



EAVE EXTENSION SOFFIT AT BUILDING STEEL LINE



LOW EAVE EXTENSION DETAIL

EAVE WITH OR WITHOUT GUTTER DETAIL W/ SOFFIT PANELS
SEE WALL SHEETING ERECTION NOTES FOR WALL PANEL FASTENER LOCATIONS

EO3011

Detailer Notes:

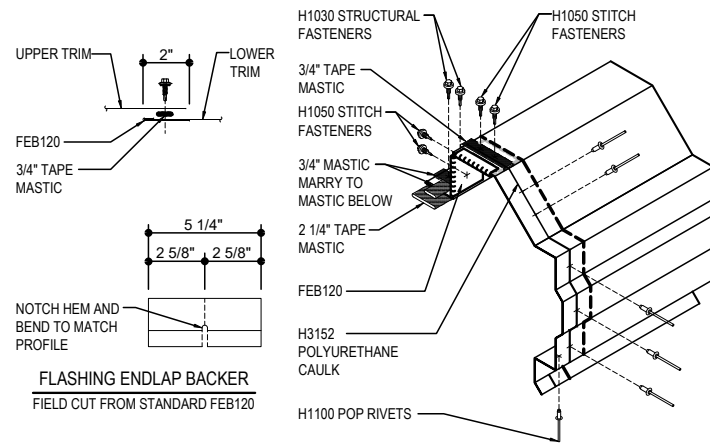
1) N/A

EO3214 - EAVE EXTENSION TERMINATION - INSET-FLUSH

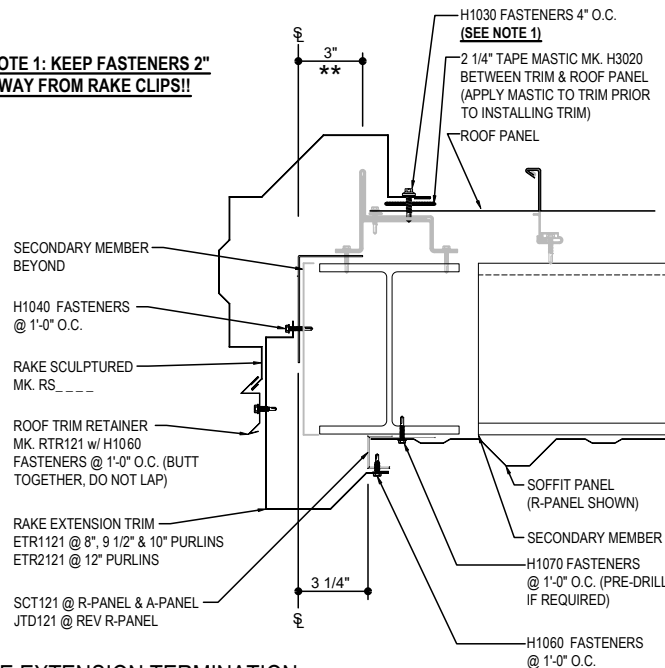
[Download the DWG file by clicking here.](#)

RAKE LAP & FLASHING BACKER

SLIDE FIELD CUT SECTION OF FLASHING ENDLAP BACKER ONTO THE LOWER TRIM PIECE AS SHOWN BELOW. PLACE TAPE MASTIC NEXT TO HEM OF THE BACKER (NOT ON TOP OF HEM). APPLY CONTINUOUS BEAD OF CAULK 1" FROM END OF TRIM DOWN PROFILE OF TRIM. FASTEN LAP WITH STITCH FASTENERS AND POP RIVETS AS SHOWN. ROOF STRUCTURAL FASTENERS SHOULD BE USED TO FASTEN THROUGH PANEL FLAT INTO RAKE ANGLE.



NOTE 1: KEEP FASTENERS 2" AWAY FROM RAKE CLIPS!!



EAVE EXTENSION TERMINATION

RAKE CONTINUATION AT EAVE EXTENSION

EO3214

Detailer Notes:

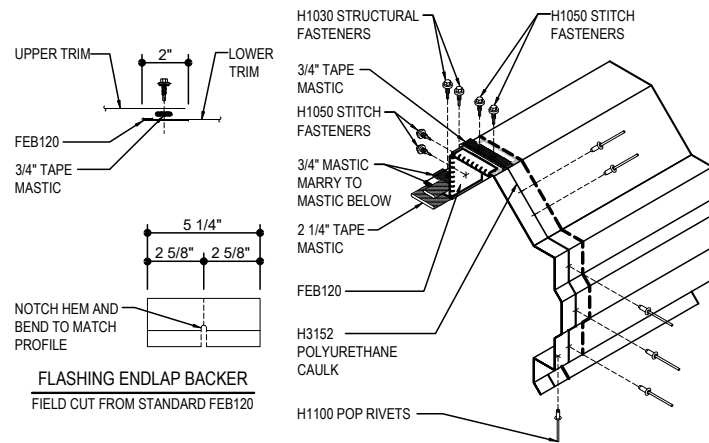
- 1) USE THIS DETAIL WITH FLUSH OR INSET ENDWALL CONDITIONS.

EO3215 - EAVE EXTENSION TERMINATION - BYPASS

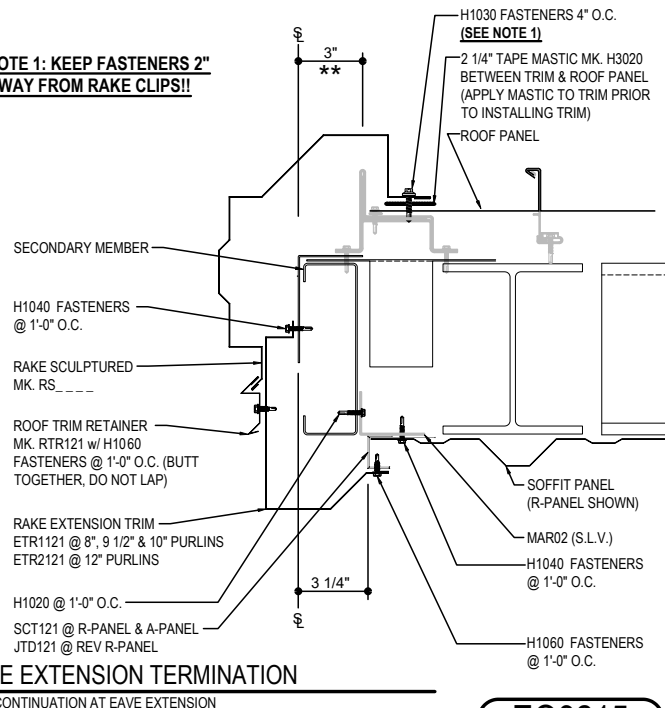
[Download the DWG file by clicking here.](#)

RAKE LAP & FLASHING BACKER

SLIDE FIELD CUT SECTION OF FLASHING ENDLAP BACKER ONTO THE LOWER TRIM PIECE AS SHOWN BELOW. PLACE TAPE MASTIC NEXT TO HEM OF THE BACKER (NOT ON TOP OF HEM). APPLY CONTINUOUS BEAD OF CAULK 1" FROM END OF TRIM DOWN PROFILE OF TRIM. FASTEN LAP WITH STITCH FASTENERS AND POP RIVETS AS SHOWN. ROOF STRUCTURAL FASTENERS SHOULD BE USED TO FASTEN THROUGH PANEL FLAT INTO RAKE ANGLE.



NOTE 1: KEEP FASTENERS 2" AWAY FROM RAKE CLIPS!!



EAVE EXTENSION TERMINATION

RAKE CONTINUATION AT EAVE EXTENSION

EO3215

Detailer Notes:

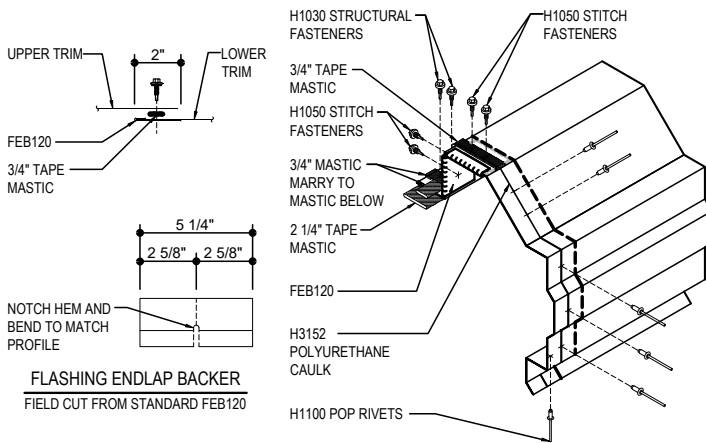
- 1) USE THIS DETAIL WITH BYPASS OR RIGID FRAME ENDWALL CONDITIONS.

EO3310 - RAKE EXTENSION

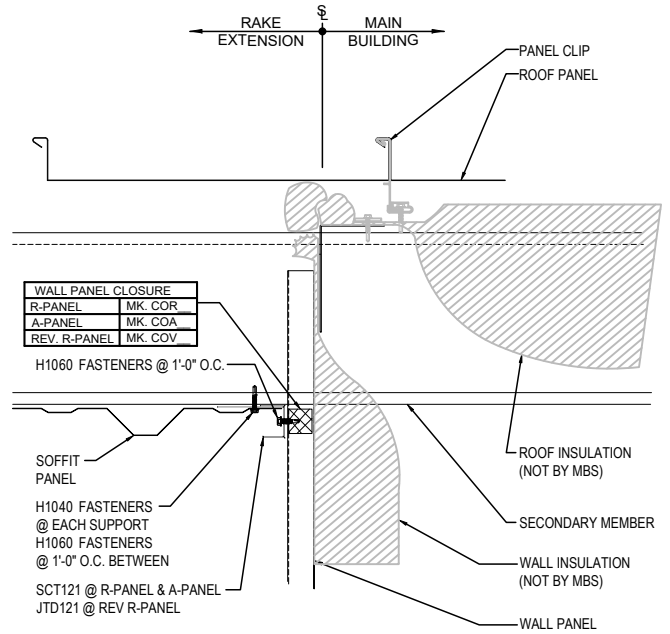
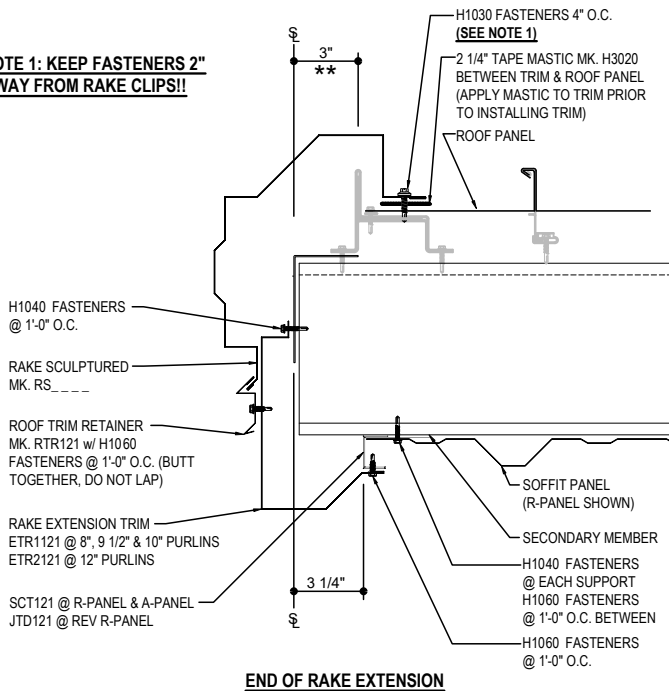
[Download the DWG file by clicking here.](#)

RAKE LAP & FLASHING BACKER

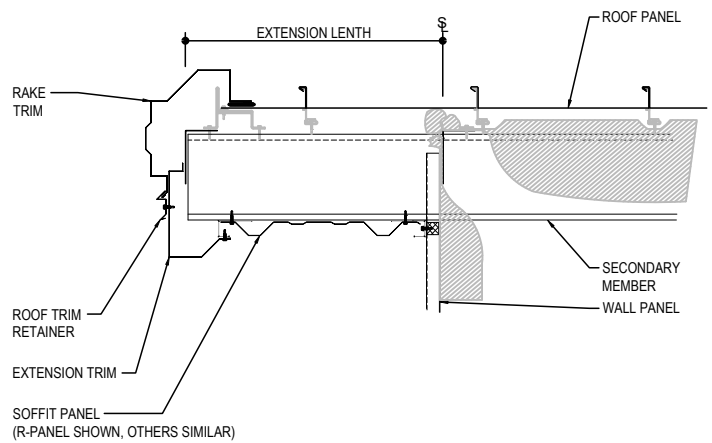
SLIDE FIELD CUT SECTION OF FLASHING ENLAP BACKER ONTO THE LOWER TRIM PIECE AS SHOWN BELOW. PLACE TAPE MASTIC NEXT TO HEM OF THE BACKER (NOT ON TOP OF HEM). APPLY CONTINUOUS BEAD OF CAULK 1" FROM END OF TRIM DOWN PROFILE OF TRIM. FASTEN LAP WITH STITCH FASTENERS AND POP RIVETS AS SHOWN. ROOF STRUCTURAL FASTENERS SHOULD BE USED TO FASTEN THROUGH PANEL FLAT INTO RAKE ANGLE.



NOTE 1: KEEP FASTENERS 2" AWAY FROM RAKE CLIPS!!



RAKE EXTENSION SOFFIT AT BUILDING STEEL LINE



RAKE EXTENSION DETAIL

RAKE DETAIL w/ SOFFIT PANELS
SEE WALL SHEETING ERECTION NOTES FOR WALL PANEL FASTENER LOCATIONS

EO3310

Detailer Notes:

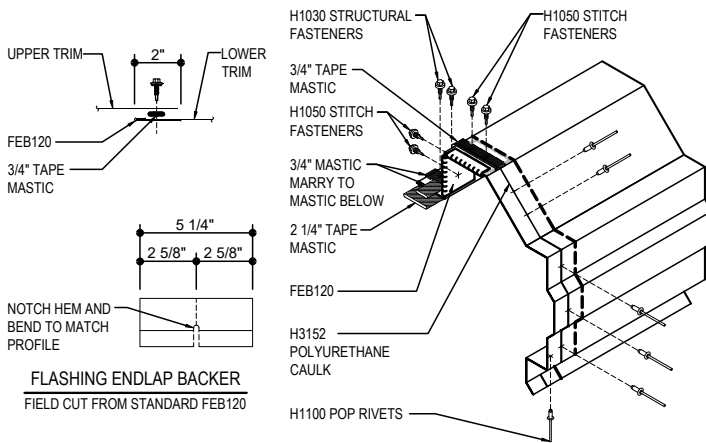
1) N/A

EO3311 - RAKE EXTENSION - IMP WALL

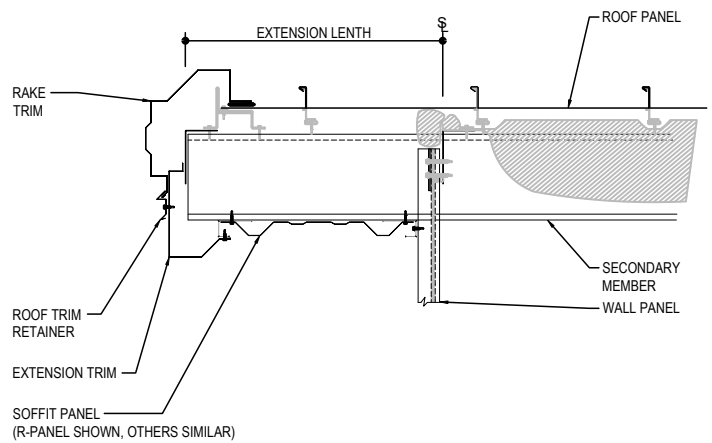
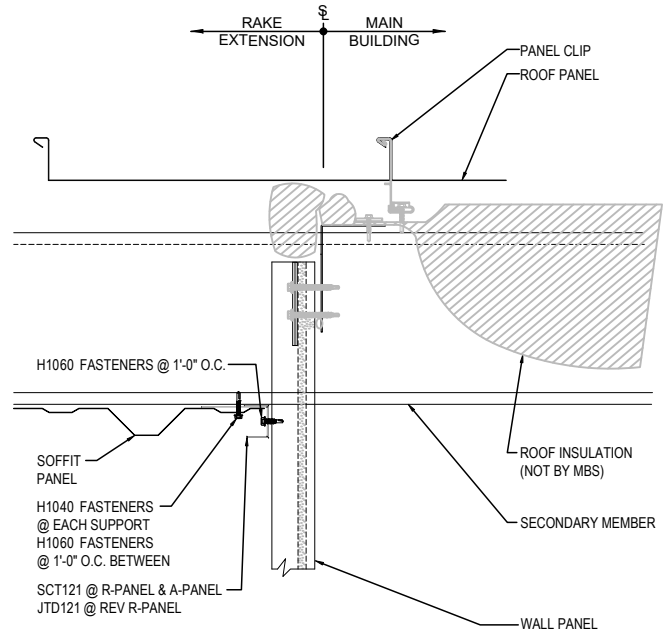
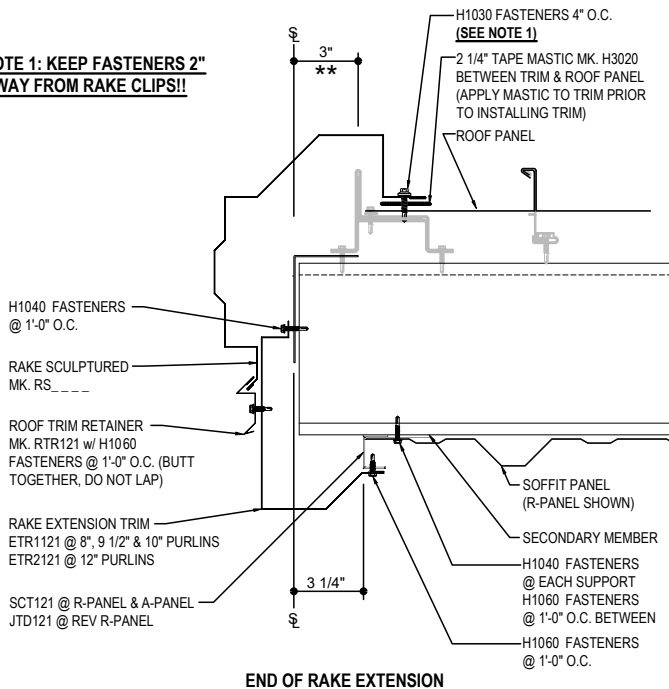
[Download the DWG file by clicking here.](#)

RAKE LAP & FLASHING BACKER

SLIDE FIELD CUT SECTION OF FLASHING ENLAP BACKER ONTO THE LOWER TRIM PIECE AS SHOWN BELOW. PLACE TAPE MASTIC NEXT TO HEM OF THE BACKER (NOT ON TOP OF HEM). APPLY CONTINUOUS BEAD OF CAULK 1" FROM END OF TRIM DOWN PROFILE OF TRIM. FASTEN LAP WITH STITCH FASTENERS AND POP RIVETS AS SHOWN. ROOF STRUCTURAL FASTENERS SHOULD BE USED TO FASTEN THROUGH PANEL FLAT INTO RAKE ANGLE.



NOTE 1: KEEP FASTENERS 2" AWAY FROM RAKE CLIPS!!



RAKE DETAIL w/ SOFFIT PANELS
SEE WALL SHEETING ERECTION NOTES FOR WALL PANEL FASTENER LOCATIONS

EO3311

Detailer Notes:

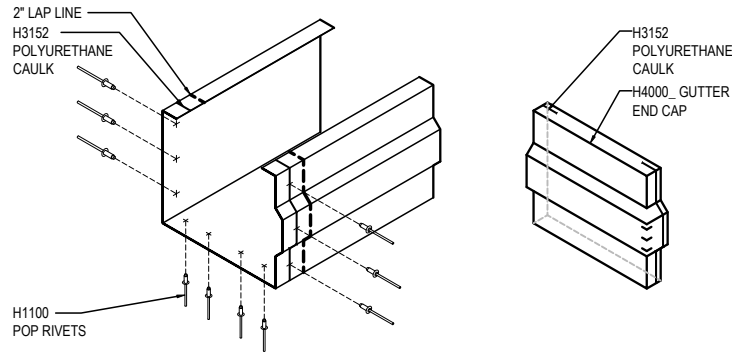
1) N/A

EO3312 - RAKE EXTENSION TERMINATION - LOW EAVE

[Download the DWG file by clicking here.](#)

GUTTER LAP & END CAP

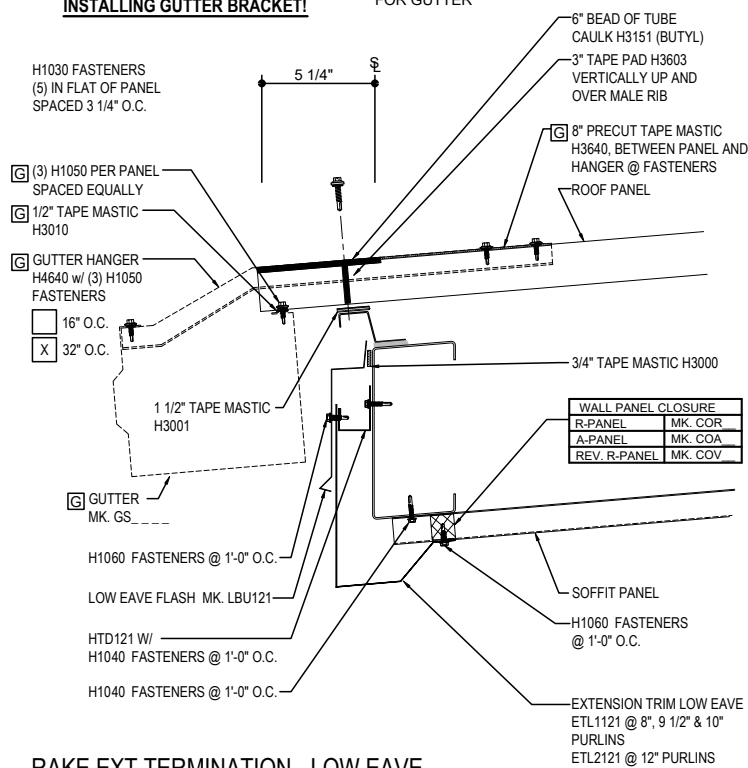
APPLY BEAD OF POLYURETHANE CAULK 1" FROM END OF TRIM AND LAP SECTIONS 2" AND FASTEN AS SHOWN. TO TERMINATE THE GUTTER APPLY POLYURETHANE CAULK TO THREE SIDES OF END CAP AND TOP RETURN AREA AS SHOWN AND INSERT 1/2" INTO END OF GUTTER. ATTACH WITH RIVETS SAME AS END LAP.



**NOTE 1: PANEL RIB MUST BE
HAND CRIMPED PRIOR TO
INSTALLING GUTTER BRACKET!**

GUTTER SHOWN IF REQ'D

REQ'D ONLY
FOR GUTTER



RAKE EXT TERMINATION - LOW EAVE

EAVE WITH OR WITHOUT GUTTER CONTINUATION AT RAKE EXTENSION

EO3312

Detailer Notes:

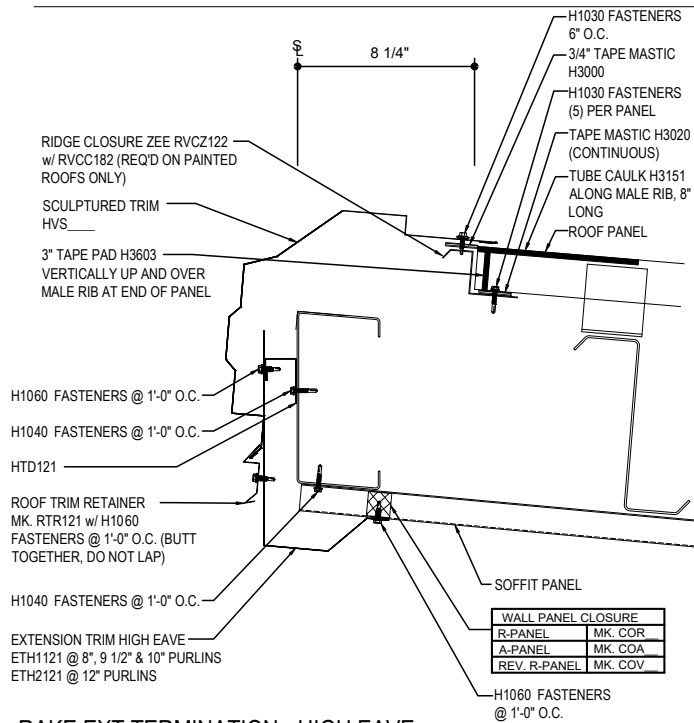
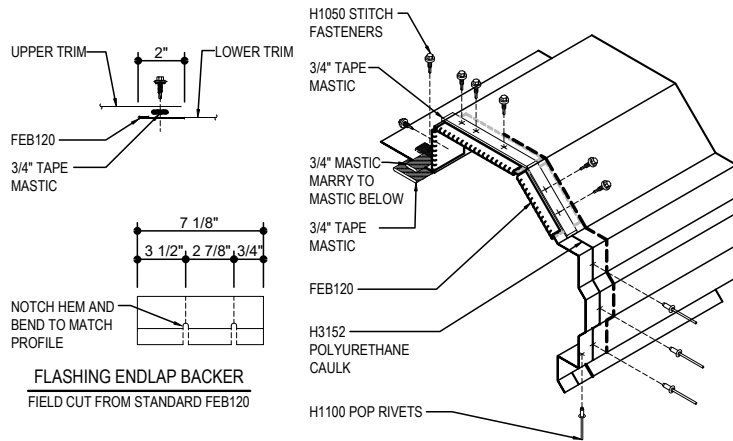
1) N/A

EO3314 - RAKE EXTENSION TERMINATION - HIGH EAVE

[Download the DWG file by clicking here.](#)

HIGH EAVE LAP & FLASHING BACKER

SLIDE FIELD CUT SECTION FLASHING ENDLAP BACKER ONTO THE LOWER TRIM PIECE. PLACE TAPE MASTIC NEXT TO HEM OF THE BACKER (NOT ON TOP OF HEM). APPLY CONTINUOUS BEAD OF CAULK 1" FROM END OF TRIM DOWN PROFILE OF TRIM. FASTEN LAP WITH STITCH FASTENERS AND POP RIVETS AS SHOWN.



RAKE EXT TERMINATION - HIGH EAVE

HIGH EAVE CONTINUATION AT RAKE EXTENSION

EO3314

Detailer Notes:

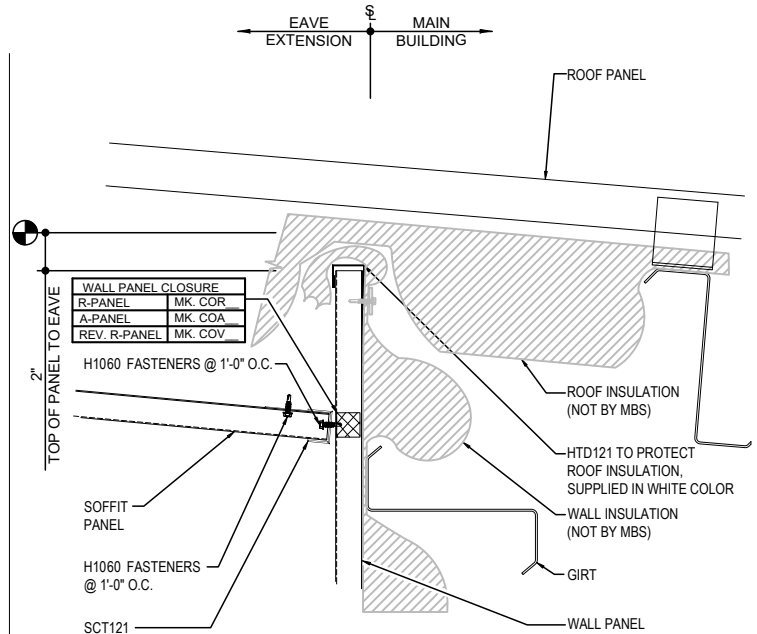
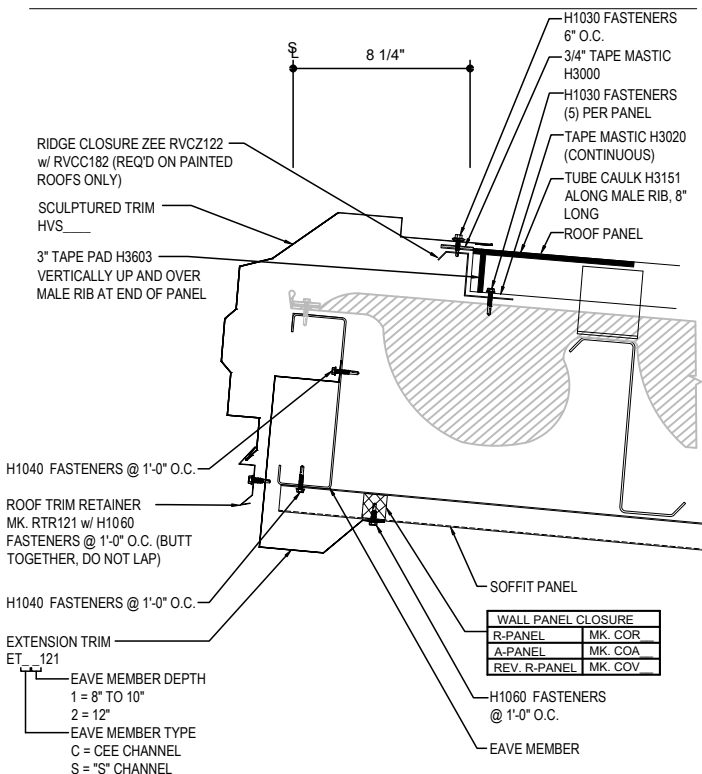
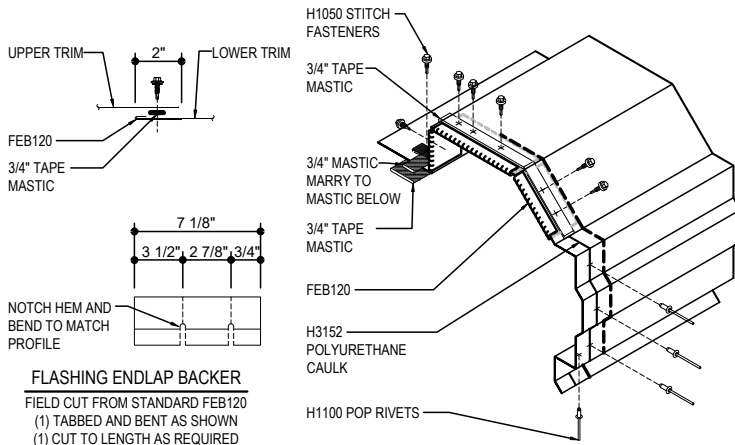
- 1) N/A

EO3410 - HIGH EAVE EXTENSION

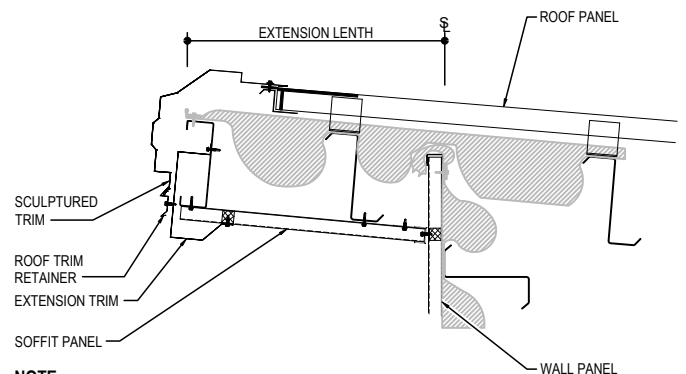
[Download the DWG file by clicking here.](#)

HIGH EAVE LAP & FLASHING BACKER

SLIDE FIELD CUT SECTION FLASHING ENDLAP BACKER ONTO THE LOWER TRIM PIECE. PLACE TAPE MASTIC NEXT TO HEM OF THE BACKER (NOT ON TOP OF HEM). APPLY CONTINUOUS BEAD OF CAULK 1" FROM END OF TRIM DOWN PROFILE OF TRIM. FASTEN LAP WITH STITCH FASTENERS AND POP RIVETS AS SHOWN.



EAVE EXTENSION SOFFIT AT BUILDING STEEL LINE



NOTE:

ROOF INSULATION NEEDS TO EXTEND OVER PURLINS TO PROVIDE SUPPORT UNDER PANEL AT PURLIN LOCATIONS. WALL INSULATION TERMINATION SHOWN IS A SUGGESTION BUT MAY VARY.

HIGH EAVE EXTENSION DETAIL

HIGH EAVE DETAIL w/ SOFFIT PANELS
SEE WALL SHEETING ERECTION NOTES FOR WALL PANEL FASTENER LOCATIONS

EO3410

Detailer Notes:

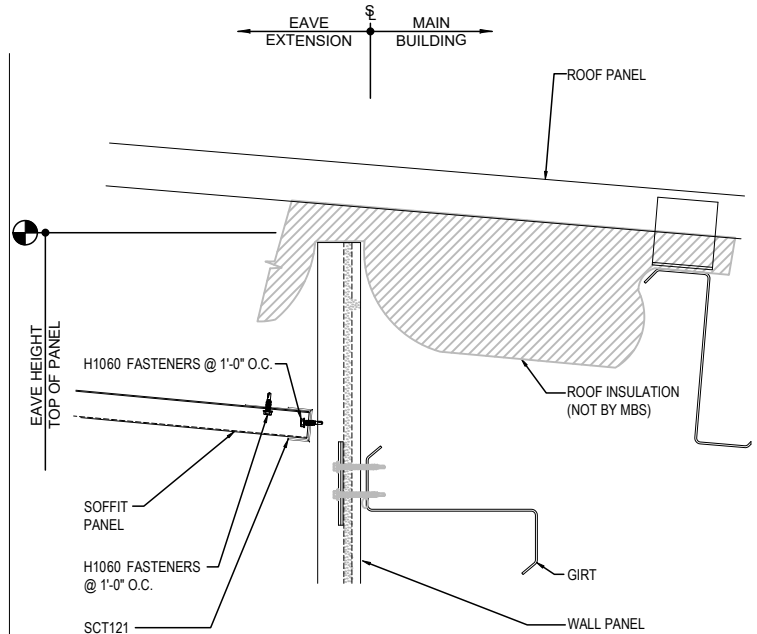
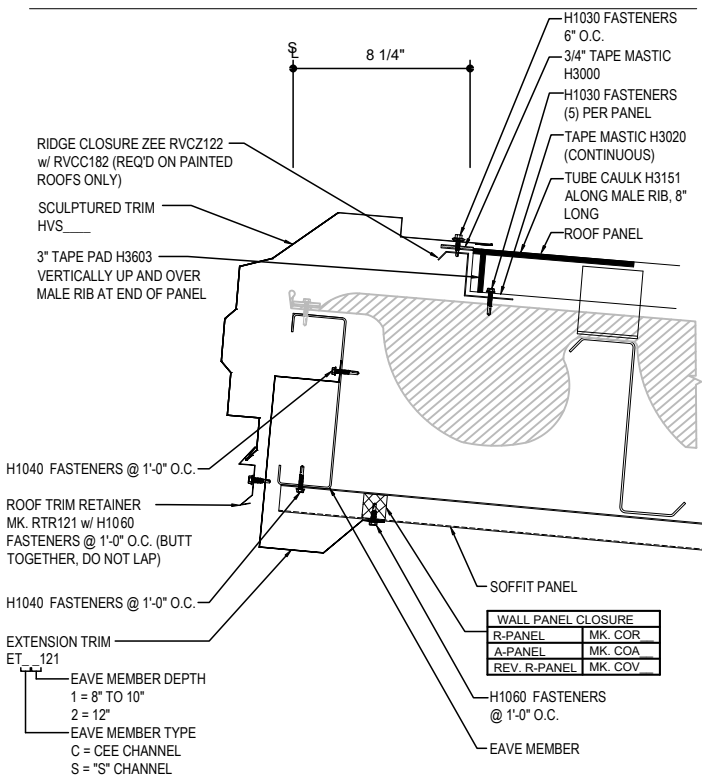
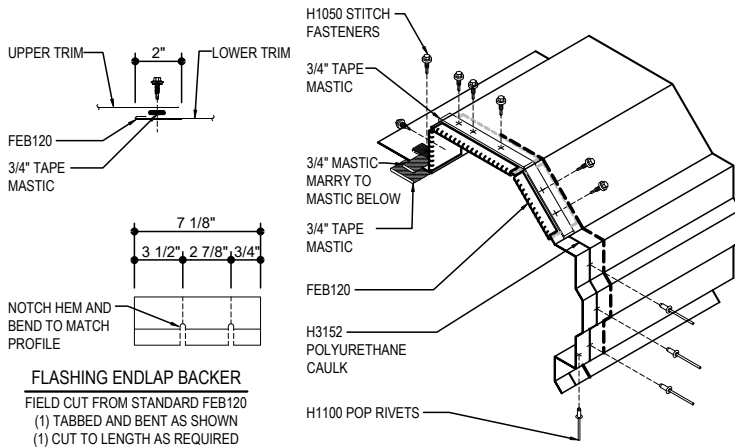
- 1) EXTENSIONS BETWEEN 1'-3" AND 1'-8" - PURLIN WILL INTERFERE WITH WALL PANEL AND DETAIL WILL HAVE TO BE MODIFIED TO ADJUST WALL PANEL SET DOWN TO KEEP PURLIN AT 1'-4" FROM STEEL LINE.

EO3411 - HIGH EAVE EXTENSION - IMP WALL

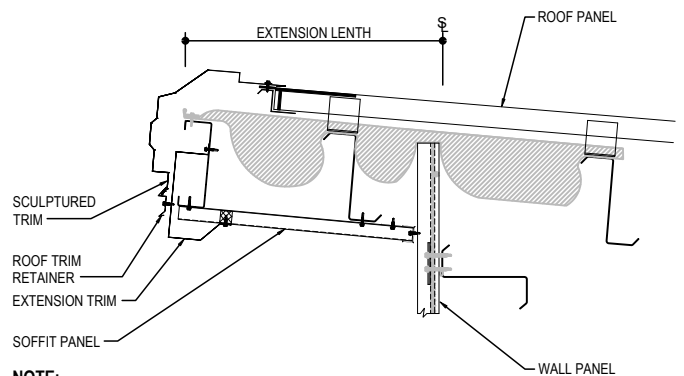
[Download the DWG file by clicking here.](#)

HIGH EAVE LAP & FLASHING BACKER

SLIDE FIELD CUT SECTION FLASHING ENDLAP BACKER ONTO THE LOWER TRIM PIECE. PLACE TAPE MASTIC NEXT TO HEM OF THE BACKER (NOT ON TOP OF HEM). APPLY CONTINUOUS BEAD OF CAULK 1" FROM END OF TRIM DOWN PROFILE OF TRIM. FASTEN LAP WITH STITCH FASTENERS AND POP RIVETS AS SHOWN.



EAVE EXTENSION SOFFIT AT BUILDING STEEL LINE



NOTE:

ROOF INSULATION NEEDS TO EXTEND OVER PURLINS TO PROVIDE SUPPORT UNDER PANEL AT PURLIN LOCATIONS. WALL INSULATION TERMINATION SHOWN IS A SUGGESTION BUT MAY VARY.

HIGH EAVE EXTENSION DETAIL

HIGH EAVE DETAIL w/ SOFFIT PANELS
SEE WALL SHEETING ERECTION NOTES FOR WALL PANEL FASTENER LOCATIONS

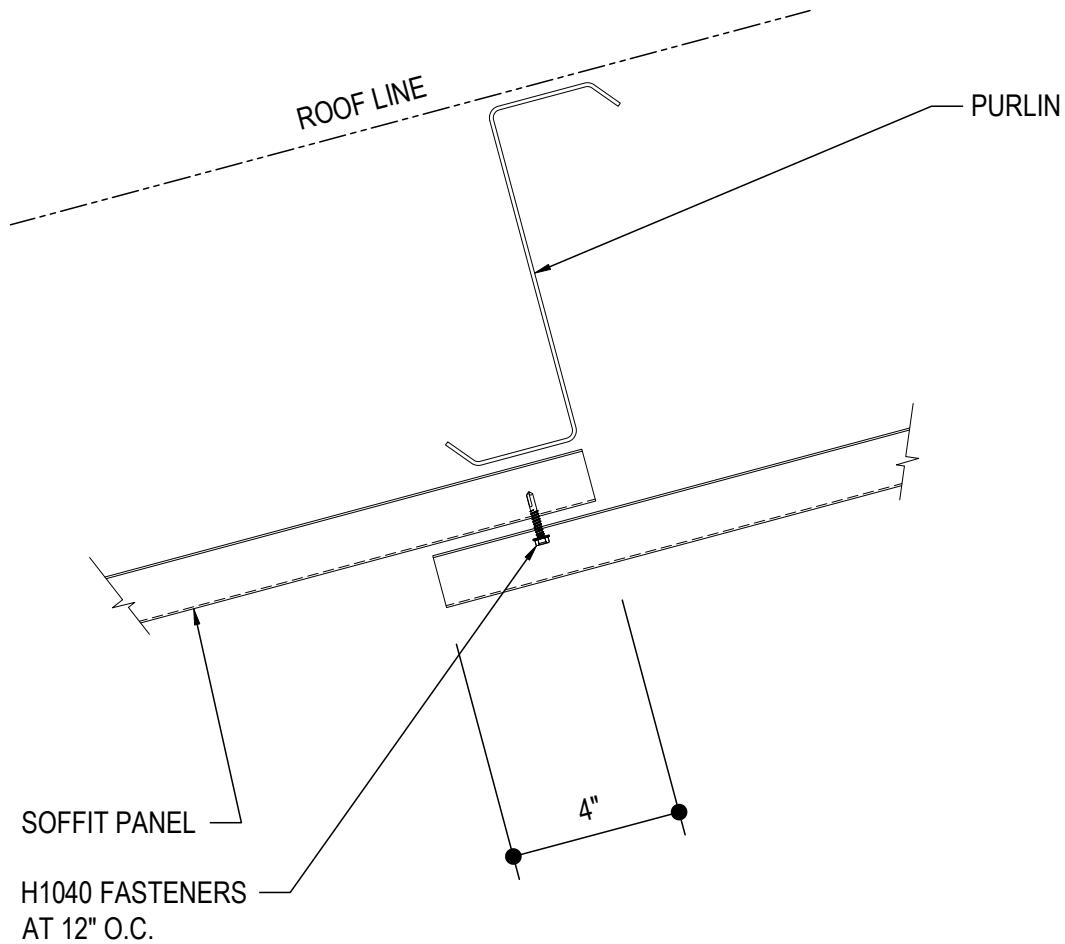
EO3411

Detailer Notes:

- EXTENSIONS BETWEEN 1'-3" AND 1'-8" - PURLIN WILL INTERFERE WITH WALL PANEL AND DETAIL WILL HAVE TO BE MODIFIED TO ADJUST WALL PANEL SET DOWN TO KEEP PURLIN AT 1'-4" FROM STEEL LINE.

EO3610 - SOFFIT PANEL ENDLAP

[Download the DWG file by clicking here.](#)



SOFFIT PANEL ENDLAP

EO3610

Detailer Notes:

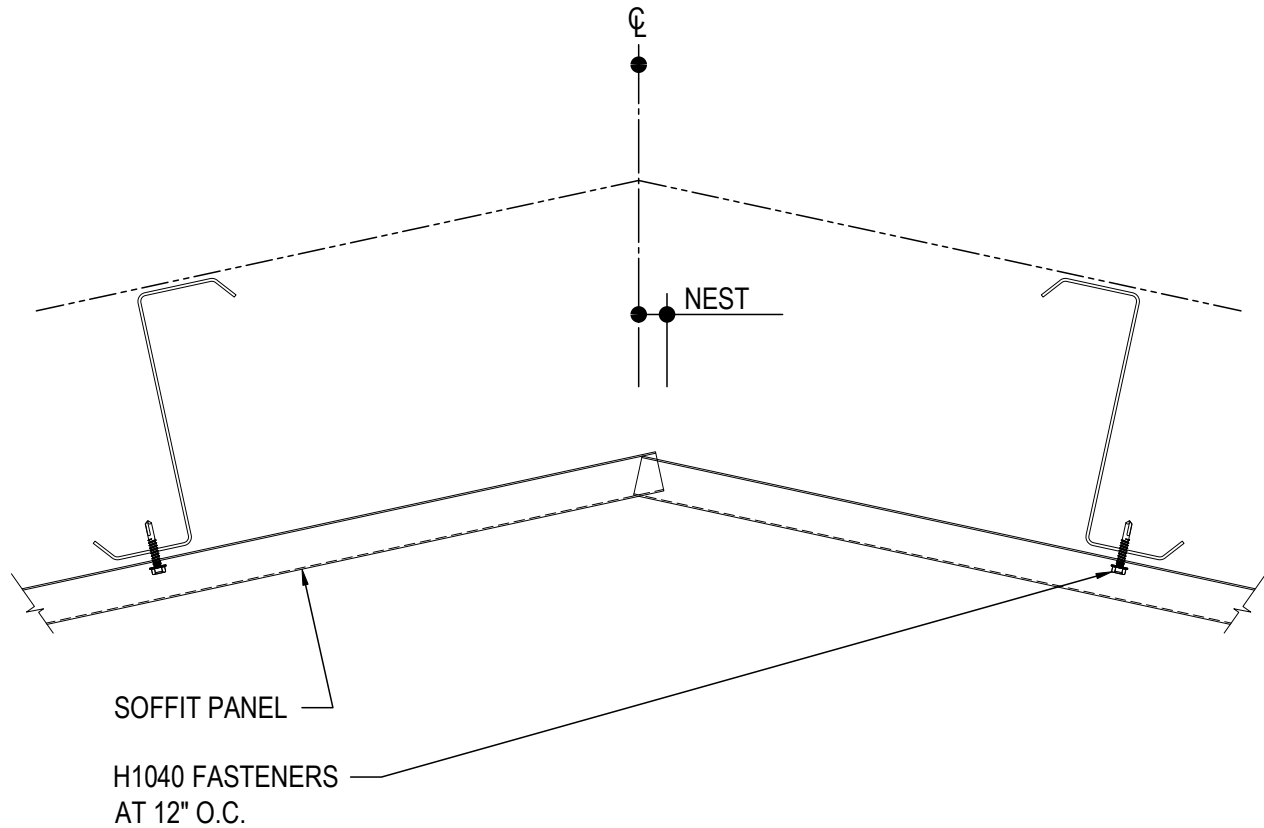
- 1) N/A

EO3615 - SOFFIT PANEL - RIDGE \leq 1:12

[Download the DWG file by clicking here.](#)

ERECTOR NOTE:

EXTEND THE PANEL PAST THE CENTERLINE OF THE RIDGE ON ONE SIDE OF THE RIDGE AS SHOWN. NEST THE OTHER PANEL INTO THE PROFILE.



SOFFIT PANEL RIDGE DETAIL

SOFFIT PANEL - SLOPES \leq 1:12
ALL STANDARD SOFFIT PANEL TYPES

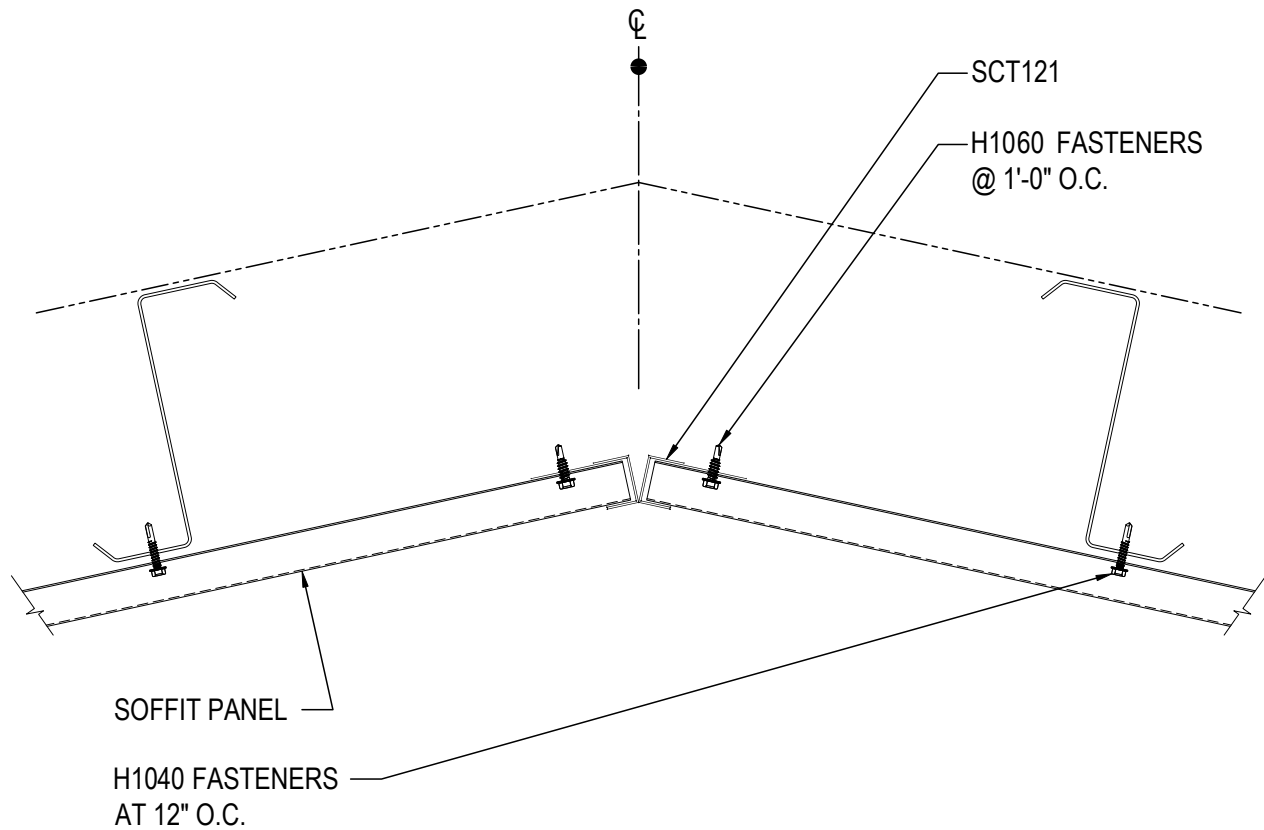
EO3615

Detailer Notes:

1) N/A

EO3616 - SOFFIT PANEL - RIDGE > 1:12

[Download the DWG file by clicking here.](#)



SOFFIT PANEL RIDGE DETAIL

SOFFIT PANEL - SLOPES >1:12
ALL STANDARD SOFFIT PANEL TYPES

EO3616

Detailer Notes:

1) N/A